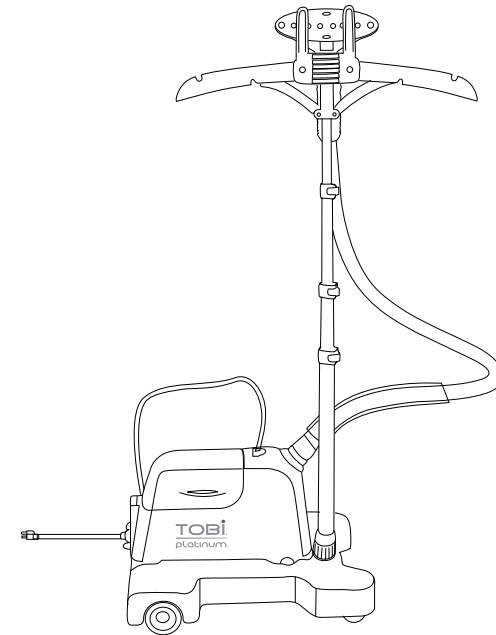




Revolutionary Upright and Portable  
Wrinkle Removal Machine

# INSTRUCTION MANUAL



## INSTRUCTION MANUAL



Distributed by:  
Thane Direct Canada, Inc. Mississauga ON,  
[www.thane.ca](http://www.thane.ca)

Thane Direct UK, Ltd. Admail ADM3996 London W1T 1ZU  
[www.thanedirect.co.uk](http://www.thanedirect.co.uk)

©2010 Thane International, Inc.

Read this booklet thoroughly before using  
the unit and save it for future reference

# Table of Contents

|   |    |
|---|----|
| ❖ IMPORTANT SAFEGUARDS                              | 02 |
| ❖ TOBi® PLATINUM™ FEATURES & IMPROVEMENTS           | 03 |
| ❖ SPECIAL INSTRUCTIONS                              | 04 |
| Know your TOBi® Platinum™                           | 04 |
| Before your first use                               | 06 |
| ❖ ASSEMBLY INSTRUCTIONS                             | 06 |
| Assembling and mounting the Telescopic Pole         | 06 |
| Attaching the hose                                  | 07 |
| Attachments (Upholstery & Lint/Pet Hair Attachment) | 07 |
| ❖ OPERATING INSTRUCTIONS                            | 08 |
| ❖ HOW TO STEAM                                      | 09 |
| ❖ QUICK STORAGE                                     | 10 |
| ❖ CLEANING AND LONG-TERM STORAGE                    | 10 |
| ❖ CLEANING MINERAL DEPOSITS                         | 11 |
| ❖ TOBi® PLATINUM™ MAINTENANCE                       | 12 |
| ❖ TOBi® PLATINUM™ TIPS & FAQs                       | 13 |

## IMPORTANT SAFEGUARDS

When using your TOBi<sup>®</sup> Platinum™, basic precautions should always be followed, including the following:

### WARNING

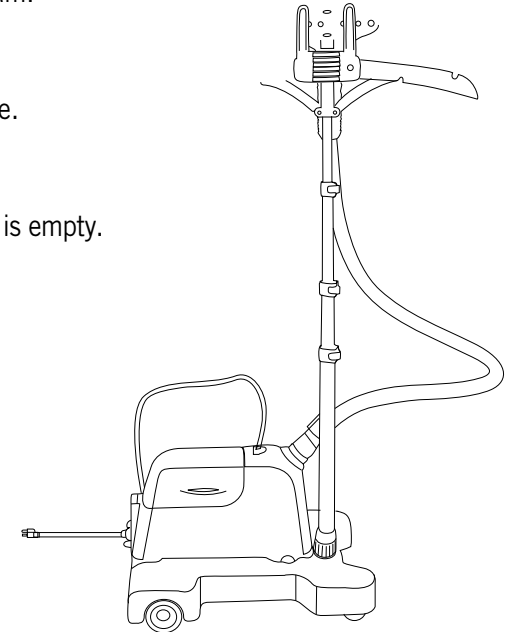
RISK OF ELECTRICAL SHOCK - BE SURE TO READ & FOLLOW ALL INSTRUCTIONS & WARNINGS

1. Read all instructions prior to usage.
2. Never force the plug into an outlet. Check that the main voltage corresponds to the voltage indicated on the rating label.
3. To protect against fire, electric shock and injury, do not immerse TOBi<sup>®</sup> Platinum™ in water or other liquids.
4. Always disconnect from outlet when not in use and before cleaning. Allow unit to cool before putting on or taking off parts, and before cleaning the appliance.
5. Always disconnect TOBi<sup>®</sup> Platinum™ from outlet when filling with water, emptying water tank, and when not in use.
6. Do not operate any appliance with a damaged cord or plug. Stop use immediately if TOBi<sup>®</sup> Platinum™ malfunctions, or has been damaged in any manner.
7. Do not let cord hang over edge of table or counter or touch hot surfaces. The power cord should not be kinked or obstructed in any way.
8. Always turn the switch to the "OFF" position before plugging in or unplugging the unit.
9. Never pull the power cord to disconnect it from an outlet. Instead, grasp the plug to remove it from the outlet.
10. To reduce the risk of contact with hot water and steam, always check TOBi<sup>®</sup> Platinum™ for steam leaks. Make sure the steam nozzle is placed in its holder prior to switching on and inspecting the base hose, handle and nozzle for leaks.
11. Do not use TOBi<sup>®</sup> Platinum™ outdoors.
12. Steam only in an up and down vertical motion (except when steaming bedding directly on bed). Never use steamer in a horizontal position or tilt main unit into a backward /vertical position, as this may result in water discharge.
13. Avoid contact with hot parts. Keep hands, hair, and clothing away from hot parts to prevent burns.
14. TOBi<sup>®</sup> Platinum™ is not a toy. Close supervision is necessary when any appliance is used by or near children.
15. The use of accessory attachments that do not come with TOBi<sup>®</sup> Platinum™ may result in fire, electric shock or injury to persons.
16. Let appliance cool completely before storing.
17. Always keep the steam nozzle elevated above water container. Do not lay hose on the floor.
18. Do not operate TOBi<sup>®</sup> Platinum™ without properly filling the water container.
19. Do not use TOBi<sup>®</sup> Platinum™ for other than its intended use.
20. Never attempt to steam clothing on body.
21. **SAVE THESE INSTRUCTIONS.**

**HOUSEHOLD USE ONLY**

## TOBi<sup>®</sup> Platinum™ Features & Improvements

- ❖ Easy On/Off switch.
- ❖ 30 - 60 seconds start up time.
- ❖ 30 - 40 minutes of continuous steam.
- ❖ Metal Teflon Steam Head.
- ❖ Lightweight, flexible and softer hose.
- ❖ 850 ml water tank.
- ❖ Automatic shut-off when water tank is empty.
- ❖ Comfortable, easy-grip handle.
- ❖ Height adjustable, stronger and more stable hanger pole.
- ❖ Improved clothes hanger.
- ❖ Easy-roll casters for mobility.
- ❖ Upholstery attachment.
- ❖ Lint/Pet Hair attachment.

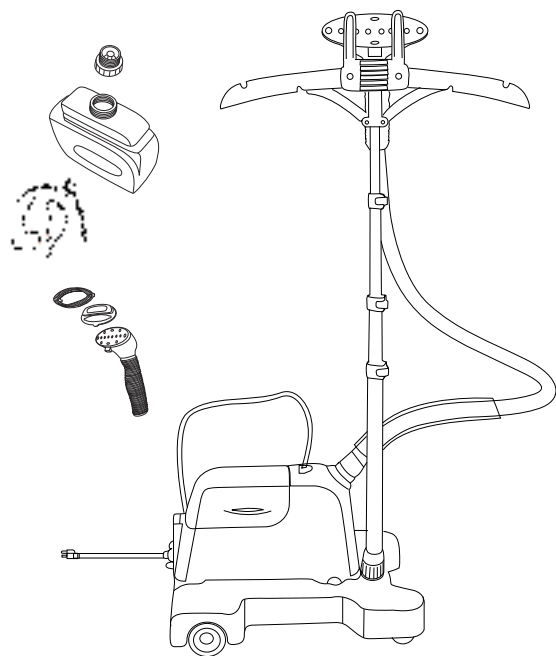


This appliance is not intended for use by young children or infirm persons unless they have been adequately supervised by a responsible person to ensure that they can use the appliance safely.

Young children should be supervised to ensure that they do not play with the appliance.

If the supply cord is damaged, it must be replaced by the manufacturer, its service agent or similarly qualified persons.

# SPECIAL INSTRUCTIONS



1. **Clothes Hanger** - The new hanger design allows you to hang up your garments, which also helps keep them in place while steaming.
2. **Pole** - The new and improved Telescopic Pole is comprised of Plastic Knobs (2a) and Pole Extensions (2b).

3. **Pole Base** - The Pole Base ensures a stable mount for the Pole.
4. **Metal Teflon Steam Head** - Metal Teflon Steam Head spreads the steam over a wide area providing hot, penetrating steam.
5. **Handle** - The Handle is permanently attached to the Steam Nozzle. Use the handle to safely direct the steam onto the desired fabric.
6. **Steam Hose** - The Hose directs the steam from the Main Unit to the Handle and Metal Teflon Steam Head. Never pull, bend or wrap the hose, it will B  
2ld d

2l

0l

## Before your first use

1. Remove any packaging and factory labeling from TOBi<sup>®</sup> Platinum™.
2. Assemble TOBi<sup>®</sup> Platinum™ according to the assembly instructions section, then fill the Water Tank with water to the max level, then operate TOBi<sup>®</sup> Platinum™ according to the operation instructions.

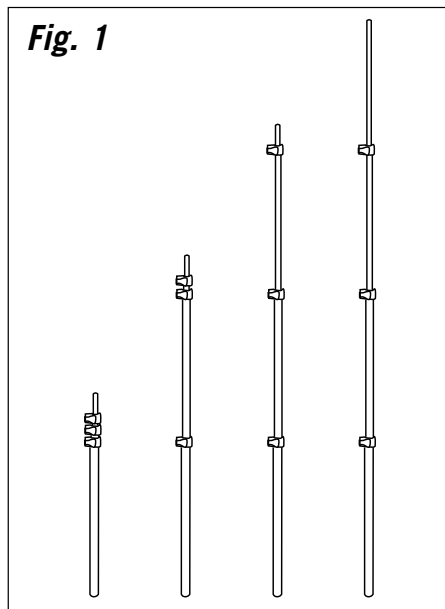
## Assembly Instructions

### I. Assembling and mounting the Telescopic Pole. (SEE FIG.1)

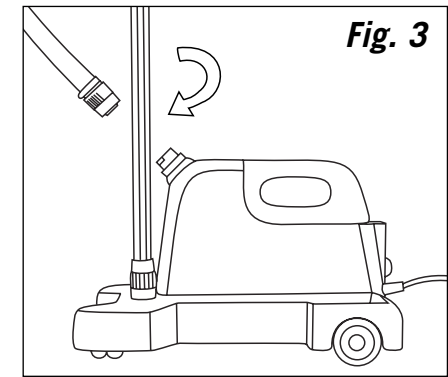
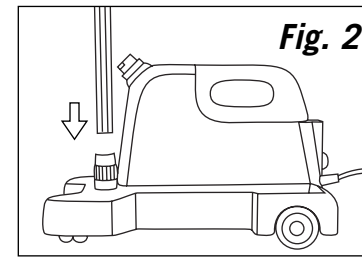
1. Loosen the three plastic knobs by moving them outwards from the telescopic pole.
2. Carefully extend the lower, middle and upper part of the pole once the knobs are loosened.
3. Once all the parts are extended, lock them into place by moving the plastic knob inwards.

**Note:** The Telescopic Pole must be fully extended during operation of TOBi<sup>®</sup> Platinum™ to ensure a free flow of steam through the Hose.

**Note:** Overextending the pole may cause it to break.



4. Loosen the Pole Base by turning it counterclockwise.
5. Insert the bottom of the Pole into the Pole Base (SEE FIG. 2).
6. Push the Pole down as far as possible.
7. Tighten the Pole Base by turning the ridged knob clockwise.
8. Insert the clothes hanger assembly to the top of the pole & press down until it is stable.



### II. Attaching the Hose

1. Insert Hose onto the Hose Base until the end & turn hose clockwise. (SEE FIG. 3).
2. Hand-tighten only. Do not over-tighten.
3. Hang the Metal Teflon Steam Head on the Metal Teflon Steam Head Holder.



**CAUTION:** To prevent steam from causing bodily injury or damage to surfaces, always hang the Metal Teflon Steam Head on the Metal Teflon Steam Head Holder when not in use. Do not lay the Hose on the floor as condensation may occur, causing unwanted water droplets in the steam.



**CAUTION:** Pulling on the Hose with excessive force will damage it, resulting in a steam leak.

### III. Attachments (Upholstery & Lint/Pet Hair Attachment)

1. Turn TOBi<sup>®</sup> Platinum™ to “OFF” position, and wait until steam no longer emits from the Metal Teflon Steam Head.



**CAUTION:** To avoid burns, do not try to install the attachments while steam is coming from the Metal Teflon Steam Head.

2. Align the pegs along the back of the attachments with the holes on the Steam Nozzle.
3. Push as shown in FIGURE 4 until the attachments are firmly in place.

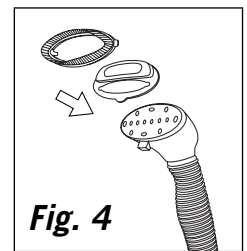
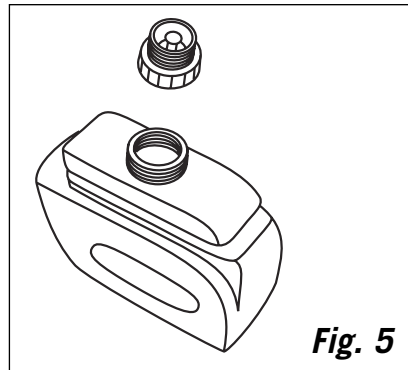


Fig. 4

# Operating Instructions

1. Unplug the Power Cord, and turn the Lighted Switch to the "OFF" position.
2. Remove the Water Tank; turn it upside down and unscrew the Valve Cap (SEE FIG.5).
3. Fill the Water Tank with cool water, and screw on the Valve Cap. Make sure it is tight so it prevents water leakage.
4. Place the Water Tank on the Main Unit (SEE FIG.6). You should hear water flowing into the Main Unit for a short time.



**CAUTION:** Do not operate TOBi<sup>®</sup> Platinum™ with a dry Water Tank. When operating, if you want to add water, first turn the Lighted Switch to "OFF" position before removing the Water Tank to avoid burning yourself.

5. Plug TOBi<sup>®</sup> Platinum™ into a grounded three-pronged outlet.

**WARNING:** If a grounded three-pronged outlet is not available, a 3-to-2 prong adapter can be used only if the adapter itself is properly grounded.

6. Turn the Lighted Switch to "ON" position; the light will be illuminated.
7. Steam should start flowing from the Metal Teflon Steam Head. Wait for steam to heat sufficiently otherwise you will create wet spots. Wait at least 30 seconds.
8. To steam a garment, place item of clothing on the hanger and steam directly.

**CAUTION:** Be careful when handling garments on the Clothes Hanger. Pulling on the garment with too much force may cause TOBi<sup>®</sup> Platinum™ to tip.

9. Grasp the handle, and place the Metal Teflon Steam Head at the top of the garment. Steam will rise along the inside and outside of the fabric, removing wrinkles. Slowly slide the Metal Teflon Steam Head vertically, from the top to the bottom of the garment. You may also reverse this motion and steam from the bottom to the top.

**Note:** Do not allow kinks to form in the hose at any time.

**WARNING: DO NOT TOUCH THE METAL TEFLON HEAD. IT BECOMES EXTREMELY HOT AND IT COULD CAUSE SEVERE BURNS.**

10. Repeat step 9 until the fabric is wrinkle free.
11. Curtains and draperies can be steamed while they are hanging. Press the Release Button and use the Shoulder Strap to put the Main Unit on the shoulder for these items.

**CAUTION: KEEP THE UNIT STRAIGHT WHILE USING IT ON THE SHOULDER STRAP. IF THE UNIT IS EXCESSIVELY TILTED BACKWARDS WARM WATER WILL START TO DRIP. IF YOU NOTICE LEAKING, PLEASE STRAIGHTEN OUT THE UNIT AND LEAKING WILL STOP.**

**Note:**

- a. During steaming, make sure that the hose is fully extended to insure a free flow of steam.
  - b. When removing the Main Unit from the Base, always use the Shoulder Strap. Assemble the Shoulder Strap on the Main Unit, by inserting the end of the Shoulder Strap into the slot of the Main Unit. To remove the Shoulder Strap press the round bump to release the Shoulder Strap.
12. When finished using TOBi<sup>®</sup> Platinum™, turn the Lighted Switch to the "OFF" position.

## How to Steam

TOBi<sup>®</sup> Platinum™ works on virtually all fabrics, silk, denim, cotton, polyester and wool. PLEASE REFER TO LABEL ON ITEM OF CLOTHING TO CHECK IF GARMENT CAN BE STEAMED. SOME FABRICS LIKE LEATHER, SUEDE, AND VELVET MAY NOT BE SUITABLE FOR STEAMING. IF YOU ARE NOT SURE THEN STEAM A SMALL PART OF THE INSIDE OF THE GARMENT TO TEST THAT IT DOES NOT DAMAGE THE FABRIC BEFORE STEAMING THE ENTIRE GARMENT OR FABRIC.

**WARNING: DO NOT TOUCH THE METAL TEFLON HEAD. IT BECOMES EXTREMELY HOT AND IT COULD CAUSE SEVERE BURNS.**

- ❖ Some articles can be steamed better from the underside. This allows the steam to relax the fibers of the material, thus removing the wrinkles.
- ❖ Pants may be easily steamed by holding them by the cuff.
- ❖ When steaming, touch material lightly with the Steam Nozzle and move up and down to remove wrinkles. It is important that the Steam Nozzle makes contact with the garment and/or fabric.

- ❖ Always steam with hose in upright position so any condensation is free to flow back into the steamer. If steaming in a low position near floor, frequently extend Hose up and out to keep clear.
- ❖ TOBi® Platinum™ helps to eliminate trips to the dry cleaner by helping reduce odors. It will not remove stains from garments.
- ❖ Convenient hanger/hook mechanism holds both the clothes and steam head securely.
- ❖ Use TOBi® Platinum™ directly on sheets while on the bed to smooth out and remove wrinkles.
- ❖ Use TOBi® Platinum™ directly on mattresses and pillow cases to help eliminate dust-mites.
- ❖ Use TOBi® Platinum™ directly on upholstery to help refresh and breathe new life into sofas and chairs.

## Quick Storage

1. Turn the Lighted Switch to “OFF”.
2. Unplug the Power Cord.
3. Wrap the Hose around the Telescopic Pole one time.
4. Hang the Metal Teflon Steam Head on the Metal Teflon Steam Head hanger holder.
5. Loosen the two ridged knobs on the Telescopic Pole by moving them outwards from the Telescopic Pole.
6. Push down on the Pole Top and the Telescopic Pole will collapse to a compact height.
7. Roll TOBi® Platinum™ to a convenient storage location.

**Note:** It is recommended to drain the water out of the Water Tank after every usage.

## Cleaning and Long-term Storage

We recommend you follow this procedure at least once per month. Use of distilled or de-mineralized water will help to reduce the need for cleaning and prolong the life of TOBi® Platinum™. However, you can use ordinary tap water as well.

1. Turn the Lighted Switch to “OFF”.
2. Unplug TOBi® Platinum™ from the power outlet.

3. Wait for TOBi® Platinum™ to cool completely.
4. Disassemble the Hose and the Telescopic Pole, and set them aside.
5. Remove and drain the Water Tank, rinse the Water Tank with fresh water, and drain completely.
6. Drain the steamer by unscrewing the drain switch and emptying the contents into the sink or tub. Tilt the unit towards the drain plug to facilitate removal of the water. Then return the drain switch to its original position.
7. Flush the Main Unit by filling the Water Tank with fresh water and draining completely.
8. Follow steps 3-7 of the quick storage section.

## Cleaning Mineral Deposits

One common problem with all steamers is mineral deposits caused by a high mineral content in many municipal water supplies. Mineral residue inside of the internal pipes and heater can cause intermittent steaming or, in some cases, no steaming at all.

**Note:** To reduce or eliminate the occurrence of mineral deposits, we recommend the use of de-mineralized or distilled water in the Main Unit. However regular tap water can also be used.

The section below can be used to reduce mineral deposits. If not using de-mineralized or distilled water, we recommend you follow this procedure monthly.

1. Turn TOBi® Platinum™ “OFF” and unplug the power cord.
2. Remove the Hose from the Main Unit.
3. Mix a solution of 50% vinegar and 50% water. Two cups of this solution will be sufficient.
4. Slowly pour the solution into the Water Tank, do not forget to tighten the Valve Cap.
5. Place the Water Tank on the Main Unit. You should hear water flowing into the Main Unit for a short time.
6. Allow it to stand for 40 minutes.
7. Drain the solution out from the Water Tank into a sink or tub.
8. Pour clean water in the Main Unit and drain. Repeat this step until the vinegar odor dissipates.
9. Reassemble TOBi® Platinum™ and operate normally.

## TOBi® Platinum™ Maintenance

### Clean and rinse your TOBi® Platinum™ regularly.

All steamers need to be cleaned and rinsed on occasion to remove mineral deposits. If steam from TOBi® Platinum™ becomes intermitted or stops altogether please refer to the section on cleaning of mineral deposits.

### Never use additives.

Additives such as salt, perfumes and dyes should never be added to the Water Tank. These substances will corrode or clog internal parts.

### Steam in a vertical, upright position.

Do not use your TOBi® Platinum™ in a horizontal position like an iron. Steam in a vertical up and down motion. This will allow the condensation in the hose to flow back into the Main Unit.

### Do not pull TOBi® Platinum™ by the power cord.

Pulling TOBi® Platinum™ by the power cord may cause the internal wiring to become loose.

### Never use your foot to turn TOBi® Platinum™ ON/OFF.

Damage may occur to the power switch should you turn the unit off using excess pressure with your foot.

### Storing TOBi® Platinum™.

Before storing TOBi® Platinum™ for an extended period (30 days or more), empty all water from the Main Unit. Water becomes stale with time and may clog internal parts.

## TOBi® Platinum™ Tips & FAQs

- Please ensure that before using TOBi® Platinum™ on a horizontal surface, you shake the hand-held Metal Teflon Steam head over the bath tub or basin, especially if you have been using TOBi® Platinum™ beforehand, this will eliminate any possible condensation from saturating the fabric.
- Ensure you empty the Water Tank after every use to maintain your TOBi® Platinum™ and avoid calcium build up.
- We recommend you de-scale your unit at least once every 30 to 60 days or 50 to 75 hours of use. Use a mixture of water and white vinegar (50/50) and allow to soak in the Water Tank overnight. Steam the contents of the entire tank the following morning to ensure any impurities accumulated in the system are eliminated. Rinse after de-scaling to avoid any vinegar odour.

**Q.** Why is the water leaking from the base?

**A.** Ensure the water release valve is securely tightened and that the Main Base is lying horizontal. Some leaking may occur while the unit is on the Shoulder Strap and excessively tipped backward. In that case straighten out the unit and the leaking will stop.



**CAUTION:** FOR YOUR SAFETY ALWAYS DISCONNECT THE UNIT FROM THE ELECTRICAL SUPPLY IF YOU NOTICE ANY WATER LEAKING FROM THE UNIT AND WIPE IT DRY BEFORE CONTINUING.

**Q.** Why has my TOBi® Platinum™ stopped producing steam?

**A.** Ensure that no “kinks” have developed in the hose cutting off the supply of steam. Also refer to the information under Cleaning Mineral Deposits (pg.10).

**Q.** Do I have to use distilled water in my TOBi® Platinum™?

**A.** While we recommend the use of distilled water to maintain optimum functionality and extend the life of your appliance, tap water can be used in TOBi® Platinum™. If you have hard water in your area, we strongly recommend the use of distilled water as well as regular maintenance program. (see pg 11 for Cleaning Mineral Deposits)

**Q.** Is TOBi® Platinum™ safe to use on all fabrics?

**A.** TOBi® Platinum™ can safely and gently steam most fabrics. However, we recommend you test a small seam, hem or hidden area of fabric before you steam an entire garment – especially for delicate or vintage fabrics.

**Q.** My new TOBi® Platinum™ had a funny smell when I used it for the first time. Is that normal?

**A.** Yes, there may be a slight odor emitted during the first use.